

BEST CONTACTS FOR YOUR SUCCESS



Telegärtner

KARL GÄRTNER GMBH

NETWORKING COMPONENTS

COAXIAL CONNECTORS

CABLE ASSEMBLIES

PRECISION TURNED PARTS

PLASTIC INJECTION MOULD PARTS

INDUSTRIAL ELECTRONICS



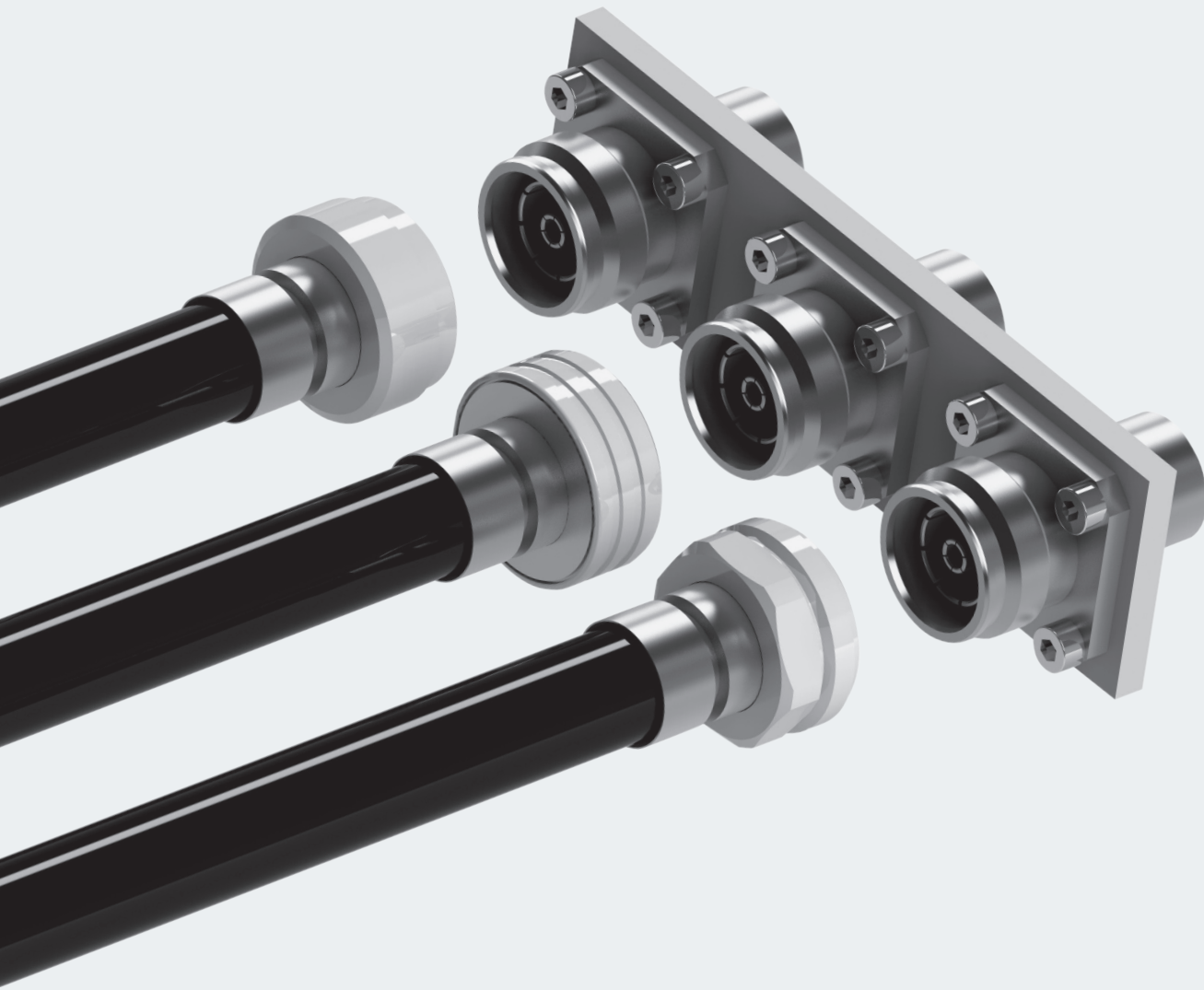
4.3-10 Series

RF Connectors for Mobile Radio Communications

Small. Lightweight. Variable.

The new, compact, installation-friendly 4.3-10 RF connectors have been specially developed to meet the ever increasing demands in mobile radio communication applications. The small size and low weight of these connectors do justice to the miniaturisation of mobile radio network components. Despite their size, the connectors guarantee excellent return loss and passive intermodulation performance (PIM) levels. In addition, the new connector series is very

variable, since one universal cable jack is suitable for mating with 3 different cable plug designs. All of the 4.3-10 connectors meet the requirements of IP68 and, because of the excellent properties of materials used, are suitable for temperatures ranging from -40°C up to $+85^{\circ}\text{C}$. Customised connector designs for use at higher temperatures are also possible on demand.



4.3-10 Connector Applications

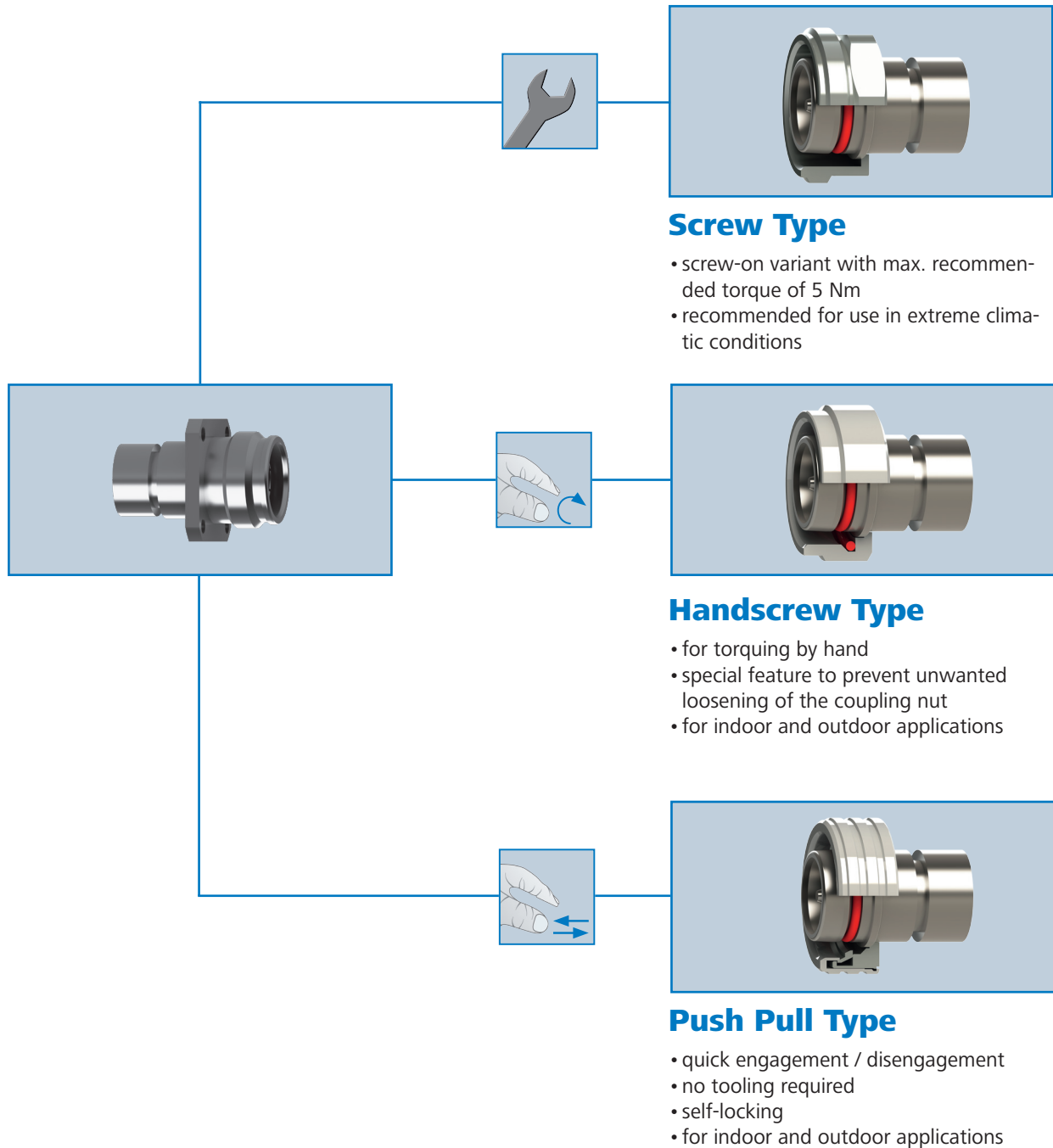
4.3-10 RF connectors are for use in outdoor telecommunication installations, in mobile radio, communication engineering and radar applications.



1 Jack - 3 Plug Designs

The main feature of the push-pull design is the quick and reliable coupling mechanism. Because no tools are required to mate the connectors, any problems with packing density are immediately resolved.

The screw designs are more rugged because of the threaded mating and, despite the use of high-quality materials, are less expensive because of the simpler and cost-effective design.



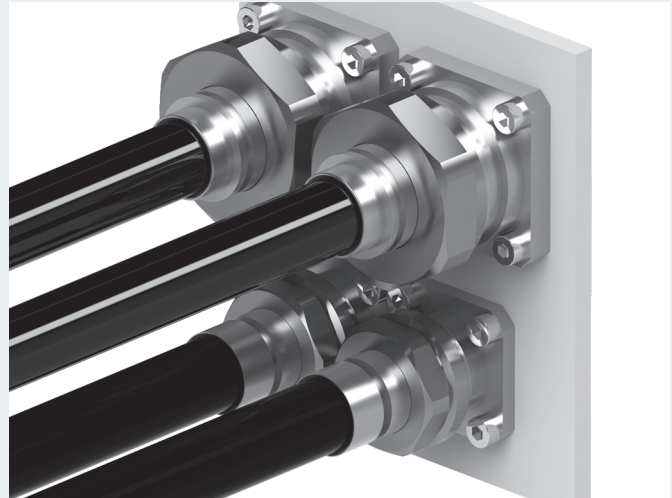
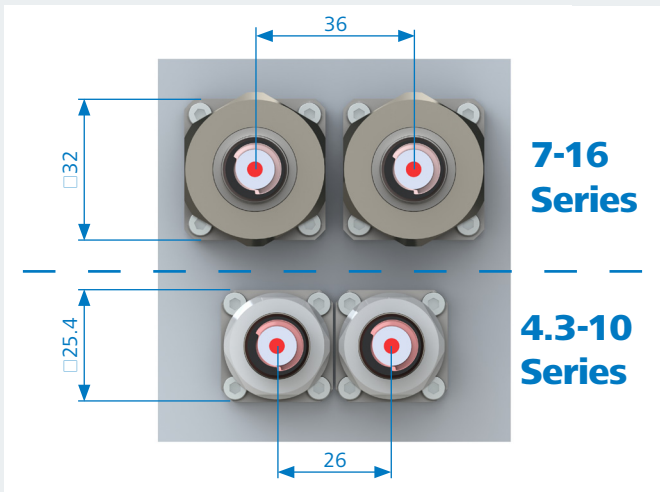
Advantages of the 4.3-10 RF Connector Series

- ✓ Saving on space and weight due to compact design
- ✓ 3 plug variants with different coupling mechanisms suitable for 1 jack
- ✓ Excellent electrical performance independent of the mating technique
- ✓ Contact areas protected from damage even when not mated
- ✓ Very good PIM values independent of the torque or coupling mechanism

Technical Performance Characteristics

The advantages of the new 4.3-10 series are obvious. When compared directly with 7-16 connectors, the compact design allows a space saving of approx. 25 %, at the same time re-

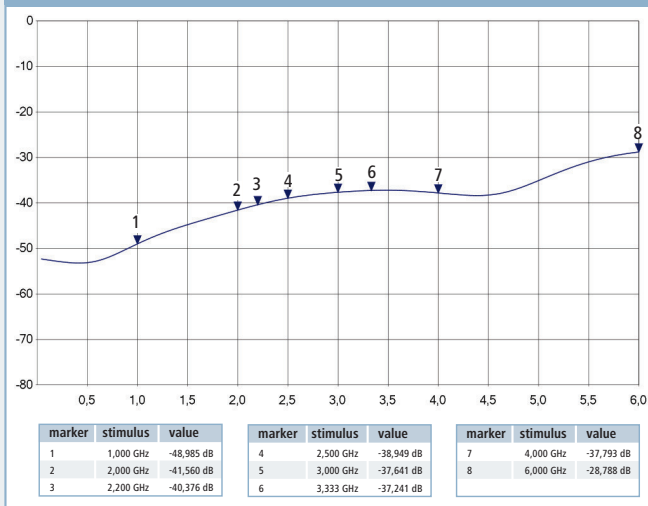
ducing the weight by more than half. Perfect pre-requisites for the increasing efficiency demands being made on mobile radio networks.



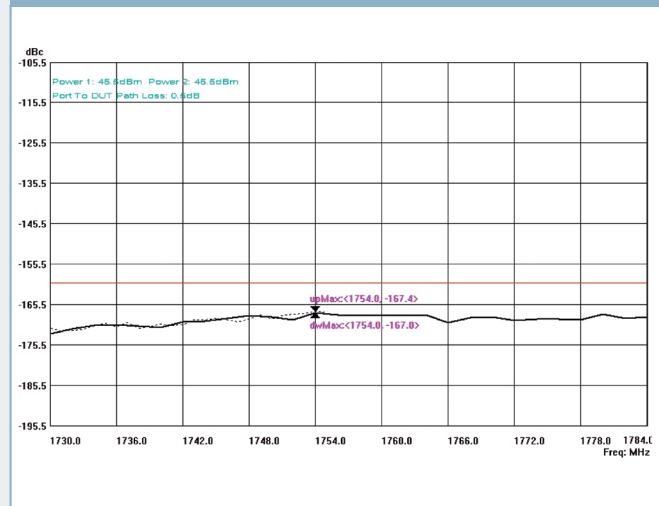
Despite their compact design, the connectors have excellent performance characteristics. And the electrical performance is independent of the torque. Transmission power is 500 W at

2 GHz. Outdoor applications are not a problem thanks to the impervious design of the mating faces.

Return Loss Values



Intermodulation

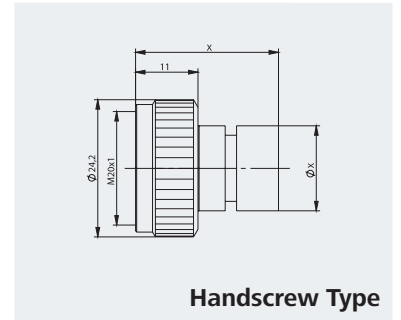
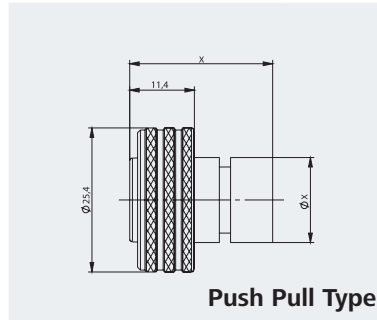
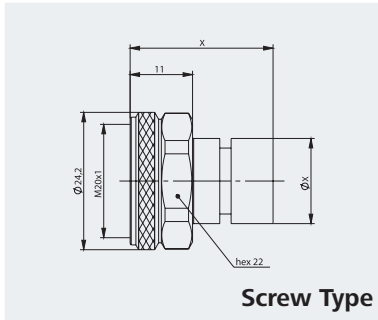


Technical Data

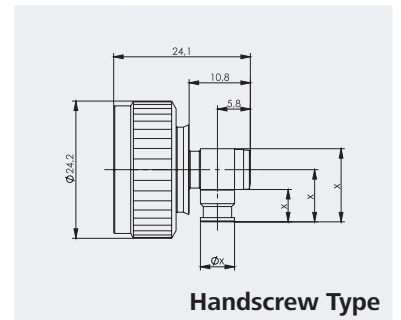
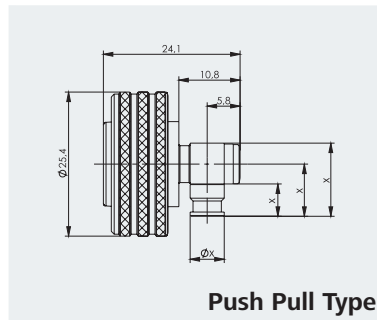
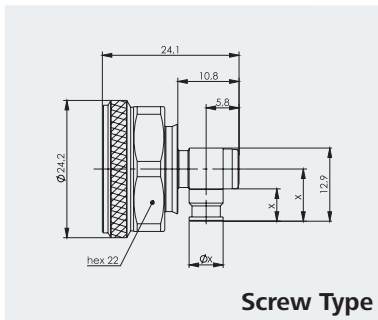
Screen effectiveness	≥ 110 dB @ DC to 6 GHz (Screw Type) ≥ 90 dB @ DC to 6 GHz (Push-Pull / Handscrew Type)
IP classification	IP68
Passive Intermodulation	- 166 dBc @ 2 x 43 dBm
Mating cycles	500
Voltage proof	2,5 kV @ 50 Hz
Frequency range	up to 6 GHz
Impedance	50 Ω
RoHS-conform	2002/95/EC
Working temperature	-40°C to +85°C
Power handling	700 W (1 GHz); 500 W (2 GHz)
Recommended torque (Screw Type)	5 Nm

4.3-10 Design Variants

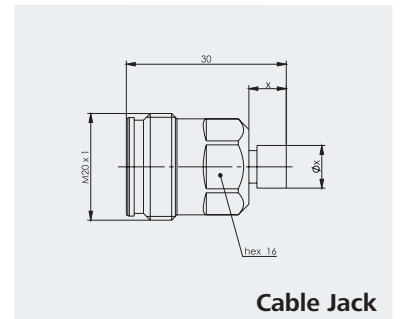
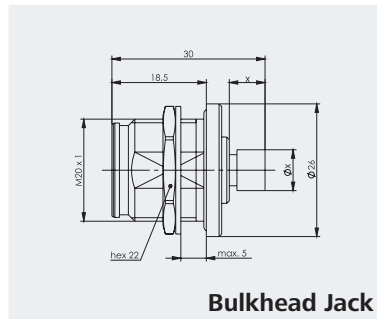
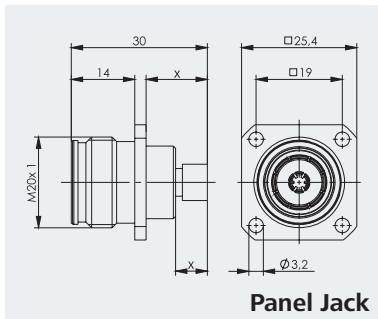
Plugs



Angled Plugs

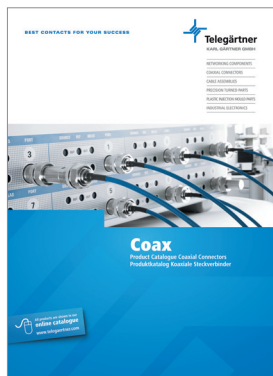


Jacks



More Telegärtner Coax Products

Coax Catalogue



The 400 pages of Telegärtner's Coax Catalogue detail our extensive range of RF components. The catalogue offers comprehensive technical information concerning RF connectors and cables. The well-structured layout of the catalogue enables you to find the right product for your application easily and quickly.

Components for Mobile Radio Base Stations



In this brochure which details our Simfix 7-16 and N- series connectors, lightning protection devices, jumper cables and adapters etc., you will also find connectivity components for fibre-optic and twisted-pair installations in base stations. Take advantage of our long years of experience regarding RF connectors and structured cabling!

Online Catalogue

SIE SIND HIER: TELEGÄRTNER > KARL GÄRTNER > ONLINEKATALOG

Coax

- BNC
- TNC
- N
- UHF
- Mini-UHF
- FME
- QLS
- SMA
- SMB/SMC/SMS
- SSMB
- MCX
- MMCX
- SMP
- 1.6:6
- 7:16 (DIN)
- HF-Kombiniersteckverbinder und Kabelabfänger
- Reverse polarisierte Steckverbinder R-TNC, R-SMA, R-BNC
- F
- Adapter zwischen den Serien
- pH
- Kabeldirektanschlüsse

Warenkorb

0 Produkt(e) im Warenkorb

[zum Warenkorb](#)

Here you will find our complete catalogue range of connectors, together with respective data sheets and assembly instructions.

Our **Cable Group Identifier** enables you to assign the appropriate connector to your specific cable. This new online tool helps you to find the appropriate connector quickly and simply, even if the cable you are using is not included in the extensive Telegärtner Cable Group lists.

Create your coaxial Cable Assembly online

Stecker linke Seite

Artikelnummer: J0100A0122

Spezialfunktion:

Ausrichtung zueinander

Stecker rechte Seite

Artikelnummer: J01120A0007

Spezialfunktion:

Technische Darstellung

Linke Seite	Kabel	Rechte Seite
<p>Steckerart</p> <p>N <input type="text"/></p> <p>Stecker</p> <p>N F, aktivierkabelstecker <input type="text"/></p>	<p>Kabeltyp</p> <p>LOW Loss 75 - 03/2/9 (D1) <input type="text"/></p> <p>Kabellänge</p> <p>10000 mm <input type="text"/></p> <p>Ausrichtung zueinander</p> <p>20° <input type="text"/></p>	<p>Steckerart</p> <p>7:16 <input type="text"/></p> <p>Stecker</p> <p>7:16 Kabelwerkstecker Climp <input type="text"/></p> <p>Kabelstecker</p> <p>Keine Auswahl <input type="text"/></p> <p><input type="checkbox"/> nur geschliffen und gestrich</p>

By using Telegärtner's Coax-Configurator, you can design your complete cable assembly, including the connectors, online. Choose from around 400 different connectors and 20 cable types to create your own cable assembly specification which you can download in PDF-format. This specification sheet also shows your individual part-number for the assembly, which you can use to obtain quotations or for ordering purposes.

www.telegaertner.com

**Telegärtner
Karl Gärtner GmbH**

Lerchenstr. 35
D-71144 Steinenbronn

Telefon: +49 (0) 71 57/1 25-100
Telefax: +49 (0) 71 57/1 25-120

E-Mail: info@telegaertner.com
Web: www.telegaertner.com

Your distributor: